

Spare parts list

Product Unit
Axial Piston Units

Part No.: R902083125

Designation: A10VG45HWDL2/10R-NSC10F015S-S

Drawing no.: R902032550

Pos.	Part No.	Designation	Quantity	
1	R902100538	ROTARY GROUP, RIGHT-HAND ROTATION	1 ST	L
2	R902017519	CONTROL, HYDRAULIC	1 ST	L
3	R902010006	PORT PLATE WITH VALVES	1 ST	L
4	R902044532	INTERNAL GEAR PUMP ASSEMBLY	1 ST	L
5	R902018947	CONTROL MODULE	1 ST	L
6	R909416388	CONTROL CARTRIDGE	1 ST	DL
10	R902015652	HOUSING	1 ST	
13	R902114380	JOINT PIN	1 ST	
20	R909151694	LOCKING SCREW ZN10001-M22X1,5-N-ST&	1 ST	D
21	R909151979	LOCKING SCREW ZN10001-M14X1,5-N-ST&	1 ST	D
22	R909151692	LOCKING SCREW ZN10001-M12X1,5-N-ST&	4 ST	D
23	R909153815	LOCKING SCREW ZN10001-M18X1,5-N-ST&	1 ST	D
24	R909153364	LOCKING SCREW ZN10001-M10X1-N-ST- &	1 ST	D
27	R909831318	DOUBLE BREAK-OFF PLUG N02.023-M 6	1 ST	
28	R909156493	ORIFICE RNM02105-M6-1	2 ST	D
31	R909156579	CLAMPING PIN DIN 7344- 3 X10	2 ST	D
41	R909085364	O-RING 126,67X2,62-S-NBR70 &	1 ST	D
46	R902039582	ECCENTRIC SCREW	1 ST	
47	R909153271	SEAL LOCK NUT N02.100-M10X1	1 ST	D
49	R909156497	ORIFICE RNM02105-M6-1,8	1 ST	

Safety Notes:

Service – and repair works have to be carried out by the Bosch Rexroth AG or their repair stations only. We do not grant any warranty for defects due to assembly, maintenance or repair not effected by the Bosch Rexroth AG or their repair stations.

Spare parts list

Part No.: R902083125

Designation: A10VG45HWDL2/10R-NSC10F015S-S

Product Unit

Axial Piston Units

Drawing no.: R902032550

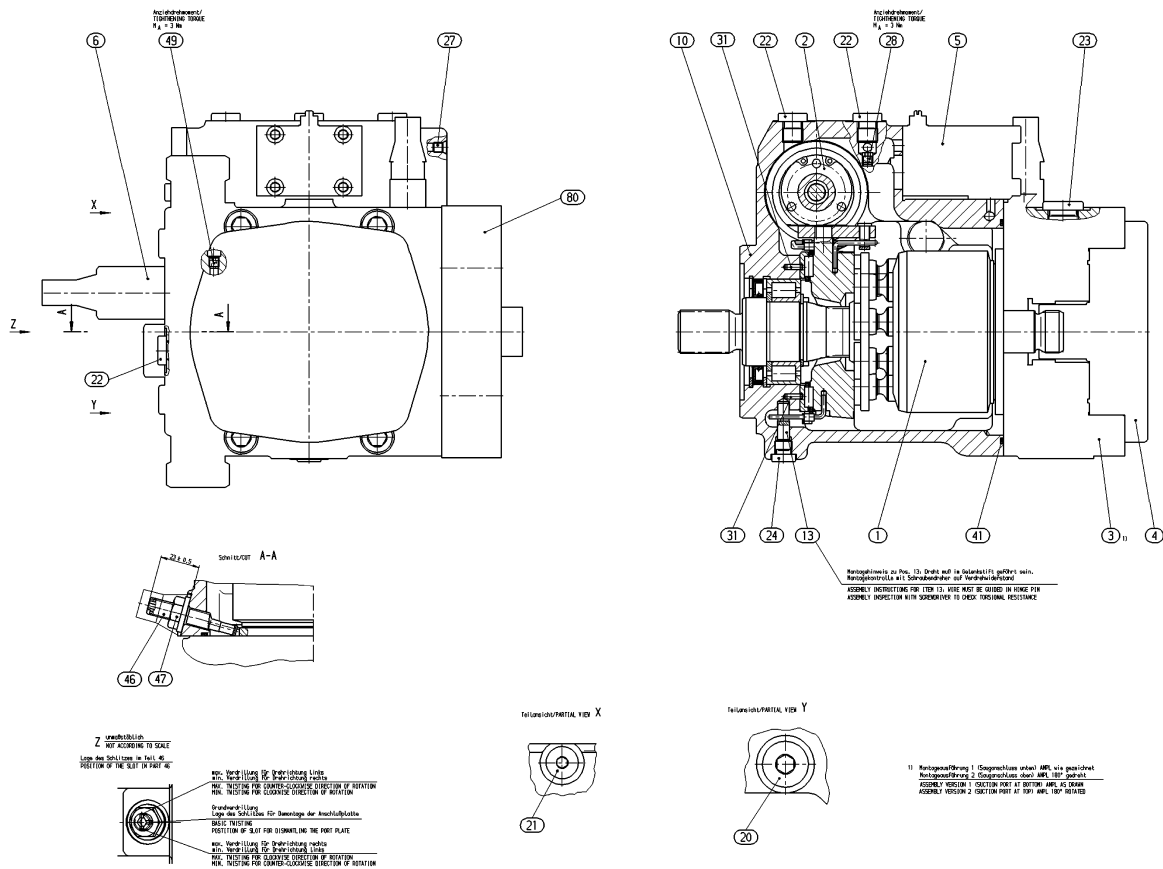
80	R902074318	FLUSH & BOOST PRESSURE VALVE	1 ST	L
98	R902095618	SEAL KIT,COMPLETE	1 ST	

Spare parts list

Product Unit
Axial Piston Units

Part No.: R902083125
Designation: A10VG45HWDL2/10R-NSC10F015S-S

Drawing no.: R902032550



Spare parts list

Product Unit
Axial Piston Units

Part No.: R902100538

Designation: ROTARY GROUP, RIGHT-HAND ROTATION

Drawing no.: R909702958

Pos.	Part No.	Designation	Quantity	
1	R902446567	ROTARY GROUP, HYDR. SECTION A10VG	1 ST	
12	R909921133	CRADLE	1 ST	
13	R909444490	SLIDE RING	1 ST	
14	R902061923	DRIVE SHAFT	1 ST	
17	R909408786	WIRE	1 ST	
18	R909443447	JOINT PIN	1 ST	
19	R909444491	WIRE	1 ST	
26	R902066234	BEARING LINER (PAIR)	1 ST	
31	R909153685	PLAIN ROLLER BEARING NUP35X62X20	1 ST	
32	R902603726	CRADLE BEARING ASSEMBLY (SET)	1 ST	
36	R909083360	RETAINING RING DIN471-35X1,5	1 ST	
37	R909832149	SEEGER-V-RING DIN 984- 62X2	2 ST	
38	R902601819	SHAFT SEAL RING PPS 40X 62X 6-FKM &	1 ST	D
98	R902002387	SEAL KIT DRIVE SHAFT	1 ST	

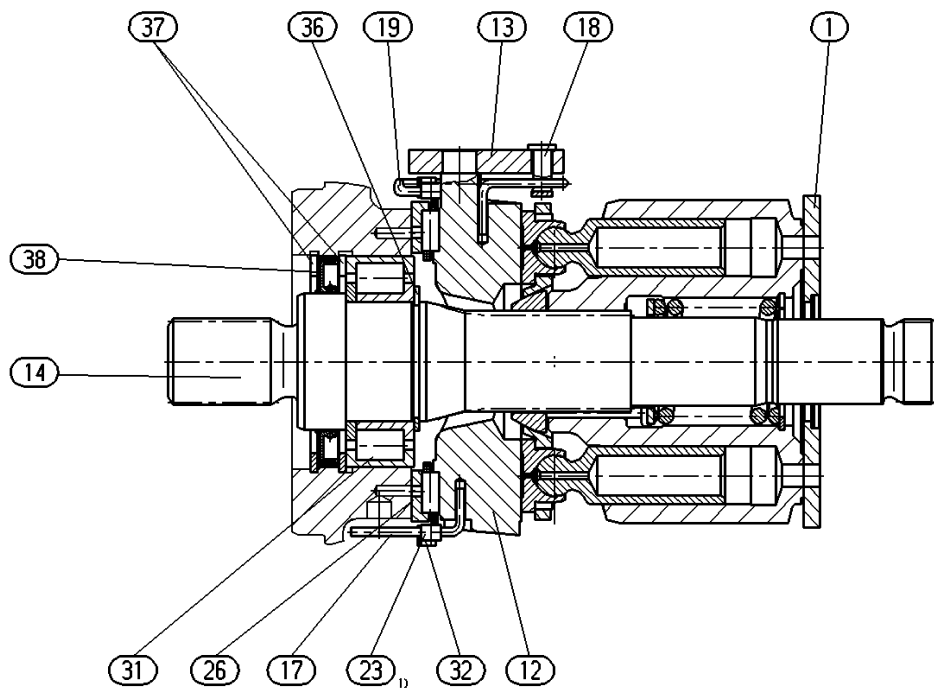
Spare parts list

Product Unit
Axial Piston Units

Part No.: R902100538

Designation: ROTARY GROUP, RIGHT-HAND ROTATION

Drawing no.: R909702958



1) Rolle (Pos. 23) nur montieren, wenn diese in Pos. 32 nicht enthalten ist.

Spare parts list

Product Unit
Axial Piston UnitsPart No.: R902017519
Designation: CONTROL, HYDRAULIC

Drawing no.: R902158485

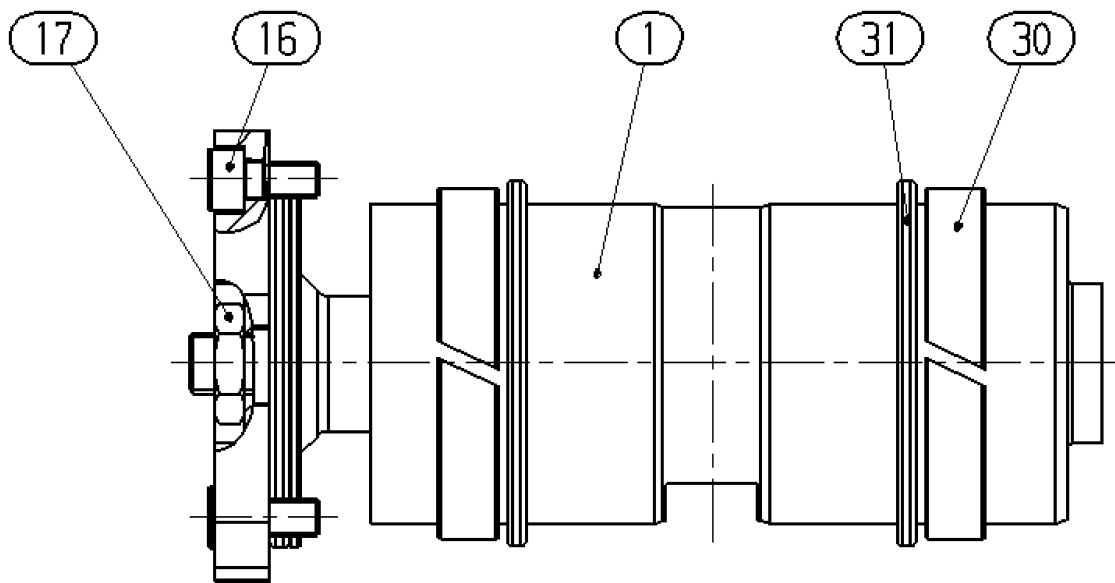
Pos.	Part No.	Designation	Quantity	
1	R902039795	POSITIONING PISTON COMPLETE	1 ST	L
16	R909083018	SOCKET-HEAD SCREW DIN912-M6X12-8.8	4 ST	D
17	R902017521	HEXAGON NUT #30NM	1 ST	
30	R902600558	GUIDE RING	2 ST	
31	R902600225	ROD SEAL KIT 52X59,5X3,1-074	2 ST	D
98	R902002439	SEAL KIT HYDR. CONTROL	1 ST	

Spare parts list

Part No.: R902017519
Designation: CONTROL, HYDRAULIC

Product Unit
Axial Piston Units

Drawing no.: R902158485



Spare parts list

Product Unit
Axial Piston Units

Part No.: R902039795
Designation: POSITIONING PISTON COMPLETE

Drawing no.: R902035746

Pos.	Part No.	Designation	Quantity	
1	R909651240	POSITIONING PISTON	1 ST	
2	R909440855	ROD	1 ST	
3	R909436198	COVER	1 ST	
5	R909436219	RING	1 ST	
		'6,85' 45217.5100		
5	R909436220	RING	1 ST	
		'6,90' 45217.5100		
5	R909436221	RING	1 ST	
		'6,95' 45217.5100		
5	R909436222	RING	1 ST	
		'7,00' 45217.5100		
5	R909436223	RING	1 ST	
		'7,05' 45217.5100		
5	R909436224	RING	1 ST	
		'7,10' 45217.5100		
5	R909650222	RING	1 ST	
		'6,80' 45217.5100		
5	R909650223	RING	1 ST	
		'6,75' 45217.5100		
5	R909650224	RING	1 ST	
		'6,70' 45217.5100		
6	R902035529	SPRING COLLAR	1 ST	
		45217.5120		
7	R902071057	SPACER BUSH	1 ST	
7	R902049839	SPACER BUSH	1 ST	
7	R909921082	SPACER BUSH	1 ST	
7	R902071058	SPACER BUSH	1 ST	
7	R902049840	SPACER BUSH	1 ST	
8	R902035530	PRESSURE SPRING	1 ST	
		'8,00/ 26,00/ 97,95'		
10	R902035531	SPRING COLLAR	1 ST	
		45217.5120		
13	R909086377	O-RING	1 ST	D
		N 02.079- 55,25 X 2,62-S-NBR90		
15	R909085359	RETAINING RING	1 ST	
		DIN 472- 44X1,75 &		

Spare parts list

Product Unit

Axial Piston Units

Part No.: R902039795

Designation: POSITIONING PISTON COMPLETE

Drawing no.: R902035746

18	R909086380	O-RING N 02.079- 6,07 X 1,78-S-NBR90	1 ST
----	------------	---	------

Spare parts list

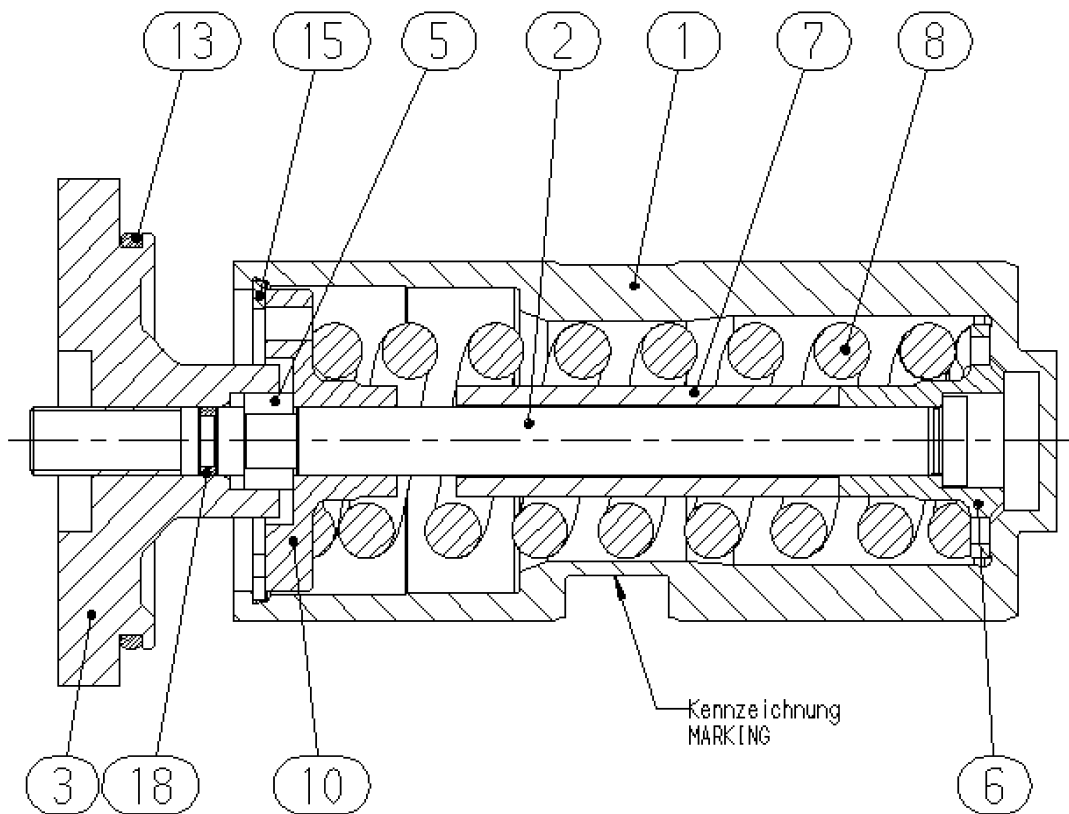
Product Unit

Axial Piston Units

Part No.: R902039795

Designation: POSITIONING PISTON COMPLETE

Drawing no.: R902035746



Spare parts list

Product Unit
Axial Piston Units

Part No.: R902010006
Designation: PORT PLATE WITH VALVES

Drawing no.: R902008912

Pos.	Part No.	Designation	Quantity	
1	R902016400	PRESSURE RELIEF VALVE HD250-530BEP#250+/-30	2 ST	L
2	R902037600	PRESSURE RELIEF VALVE ND 15-30RFV #70NM	1 ST	L
3	R909433093	PRESSURE OVERRIDE VALVE	1 ST	L
5	R902071308	PORT PLATE	1 ST	
6	R909449134	BEARING BUSHING	1 ST	
7	R909083099	SOCKET-HEAD SCREW DIN912-M12X70-10.9	4 ST	
8	R900748992	CYLINDER PIN ISO2338-6M6X16-ST	2 ST	D
11	R909831318	DOUBLE BREAK-OFF PLUG N02.023-M 6	2 ST	
12	R909151979	LOCKING SCREW ZN10001-M14X1,5-N-ST&	1 ST	D
13	R902010854	LOCKING SCREW 23117.0000	2 ST	D
14	R909831319	DOUBLE BREAK-OFF PLUG N02.023-M 8	2 ST	
26	R909085709	O-RING 9,25 X 1,78-S-NBR90 &	2 ST	D
35	R909151692	LOCKING SCREW ZN10001-M12X1,5-N-ST&	2 ST	D
44	R909831337	PLAIN ROLLER BEARING RNU 24,745X39 X17 &	1 ST	
98	R902002445	SEAL KIT PORT PLATE WITH VALVES	1 ST	

Spare parts list

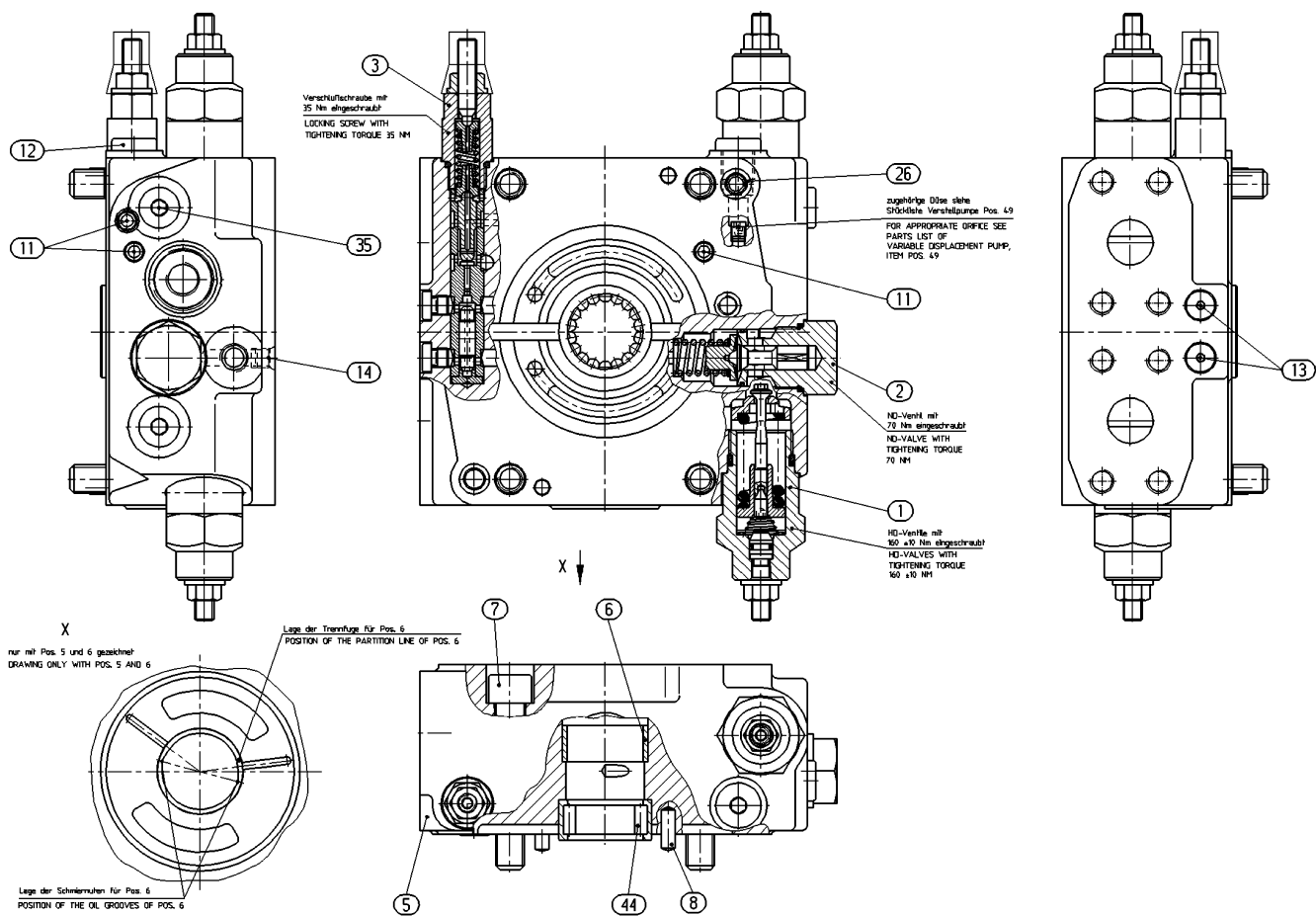
Part No.: R902010006

Designation: PORT PLATE WITH VALVES

Product Unit

Axial Piston Units

Drawing no.: R902008912



Spare parts list

Product Unit
Axial Piston Units

Part No.: R902016400
Designation: PRESSURE RELIEF VALVE

Drawing no.: R902139000

Pos.	Part No.	Designation	Quantity	
1	R909445645	LOCKING SCREW 52113.0503	1 ST	
2	R902010478	VALVE COLLAR	1 ST	
3	R902010477	VALVE SPINDLE	1 ST	
4	R902016288	SPRING LOADING NUT	1 ST	
5	R909921948	PRESSURE SPRING '4,50/ 14,80/ 44,94'	1 ST	
6	R909425925	SPRING, CONE-SHAPED	1 ST	
7	R902016289	THREADED PIN 52113.0516	1 ST	D
8	R909445131	ADJUSTMENT BOLT 52113.0503	1 ST	
9	R909083761	O-RING 23,47 X 2,62-S-NBR90&	1 ST	D
10	R909086380	O-RING N 02.079- 6,07 X 1,78-S-NBR90	1 ST	
11	R909152707	SEAL LOCK NUT N02.100-M8	1 ST	D
12	R909831768	BACK-UP RING	1 ST	D

Spare parts list

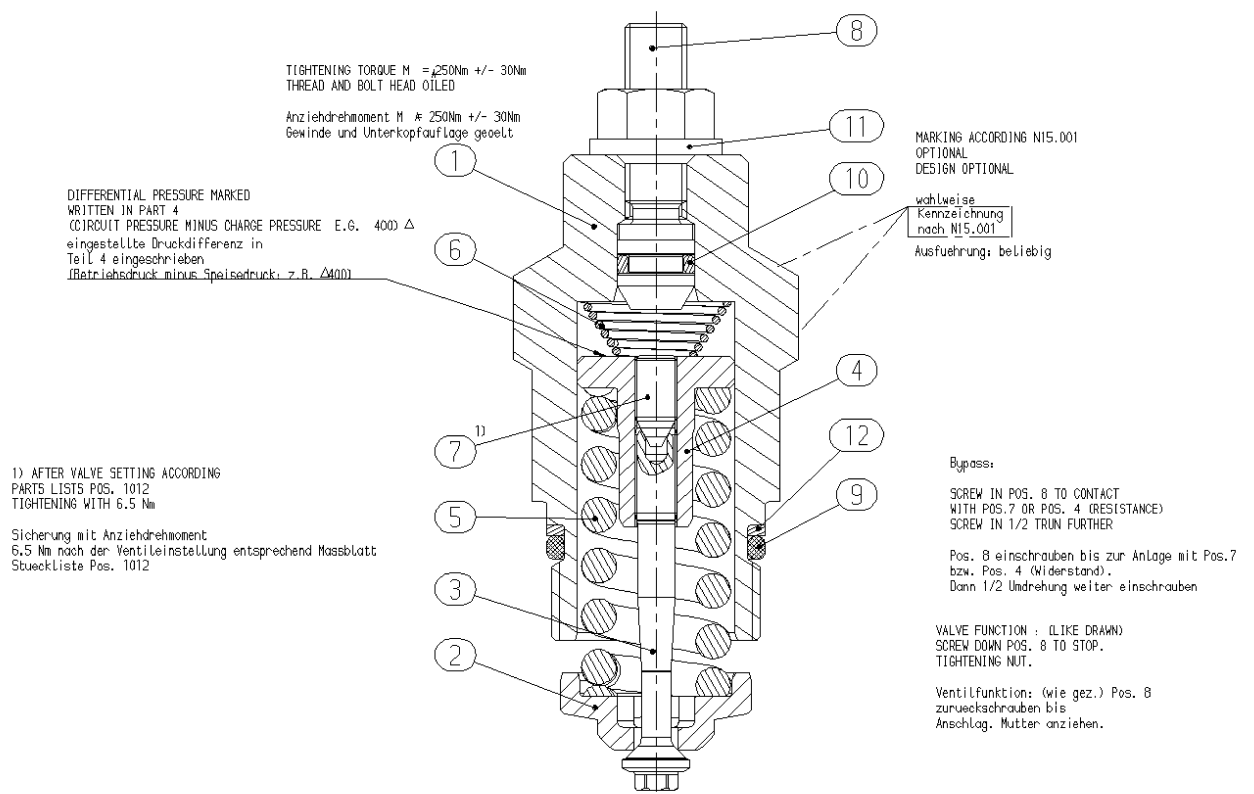
Part No.: R902016400

Designation: PRESSURE RELIEF VALVE

Product Unit

Axial Piston Units

Drawing no.: R902139000



Spare parts list

Product Unit
Axial Piston Units

Part No.: R902037600
Designation: PRESSURE RELIEF VALVE

Drawing no.: R902037594

Pos.	Part No.	Designation	Quantity	
1	R902037383	LOCKING SCREW 52112.1009	1 ST	
2	R909435899	VALVE PISTON	1 ST	
3	R902010336	SPRING COLLAR 52112.1011	1 ST	
4	R909435901	PRESSURE SPRING ' 2,40/ 13,00/ 27,00'	1 ST	
5	R902601678	STEEL SEALING RING 22X24X1,5 &	1 ST	D
6	R909152694	O-RING N 02.079- 23,47 X 2,62-S-FKM90	1 ST	D
7	R909150370	SHIM DIN 988-10X16X0,5	1 ST	
7	R909153402	SHIM DIN 988-10X16X0,3	1 ST	
7	R909150369	SHIM DIN 988-10X16X1	1 ST	

Spare parts list

Product Unit
Axial Piston Units

Part No.: R902037600
Designation: PRESSURE RELIEF VALVE

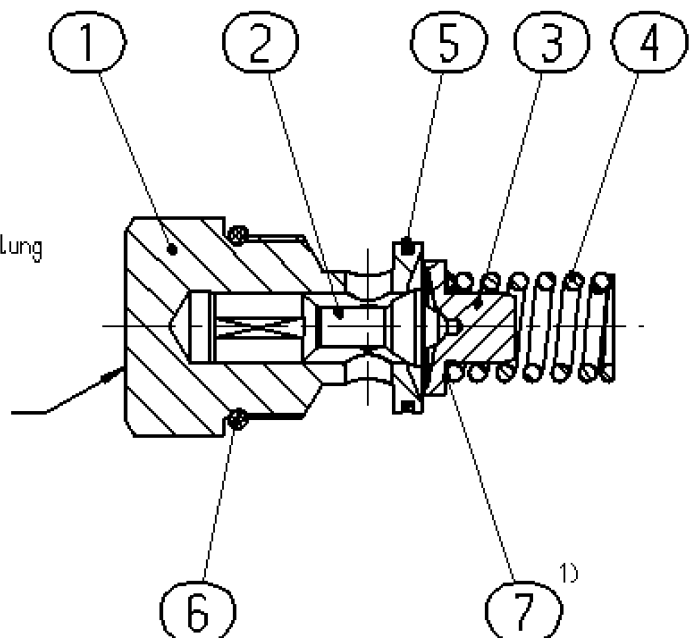
Drawing no.: R902037594

1) FOR THICKNESS OF DISC
AFTER PRESSURE ADJUSTMENT
SEE 521.12.10.11 / 12.01

Scheibendicke nach Druckeinstellung
siehe 521.12.10.11 / 12.01

MARKING ACCORDING N15.001
OPTIONAL
DESIGN OPTIONAL

wahlweise
Kennzeichnung nach N15.001
Ausführung: beliebig



Spare parts list

Product Unit
Axial Piston Units

Part No.: R909433093
Designation: PRESSURE OVERRIDE VALVE

Drawing no.: R909731048

Pos.	Part No.	Designation	Quantity	
1	R909432268	LOCKING SCREW 52508.0404	1 ST	
2	R909425951	VALVE BUSHING	1 ST	
3	R909432162	CONTROL PISTON	1 ST	
4	R909432163	PISTON 52508.0403	1 ST	
5	R909432164	VALVE PISTON 52508.0403	1 ST	
6	R909425955	POPPET SEAT	1 ST	
7	R902009402	PRESSURE SPRING '1,80/ 7,30/ 24,85'	1 ST	
8	R902043092	SPRING COLLAR 52508.0403	2 ST	
9	R909432167	ADJUSTING SCREW 52508.0403	1 ST	
10	R909083752	O-RING N 02.079- 12,37 X 2,62-S-NBR90	1 ST	D
14	R909152707	SEAL LOCK NUT N02.100-M8	1 ST	D

Spare parts list

Part No.: R909433093

Designation: PRESSURE OVERRIDE VALVE

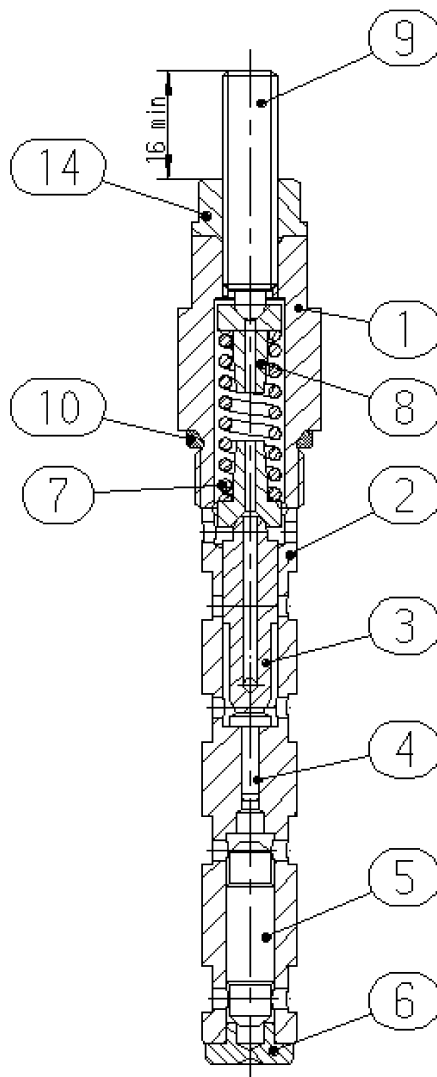
Product Unit

Axial Piston Units

Drawing no.: R909731048

Zum Blockieren der Druckabschneidung beim Ueberpruefen der Hochdruckventile die Einstellschraube Pos. 9 mit geloester Kontermutter Pos. 14 bis zum Anschlag mit max. 2 Nm im drucklosen Zustand eindrehen !

TO BLOCK THE PRESSURE CUT-OFF FOR TESTING THE HIGH PRESSURE VALVES THE ADJUSTING SCREW POS.9 WITH RELEASED COUNTERNUT POS.14 MUST BE TURNED IN WITH MAX 2 Nm TO BLOCK IN A UNPRESSURISED CONDITION



Spare parts list

Product Unit
Axial Piston Units

Part No.: R902044532
Designation: INTERNAL GEAR PUMP ASSEMBLY

Drawing no.: R902120073

Pos.	Part No.	Designation	Quantity	
1	R902078486	INTERMEDIATE FLANGE	1 ST	
5	R902026873	THROUGH-DRIVE SHAFT SAE-A 29617.6119	1 ST	
6	R902118833	INT. GEAR PUMP CASE WITH ACCESSORIES	1 ST	
8	R902025649	SHAFT KEY 29617.5000	1 ST	
9	R909156741	SNAP RING DIN 7993-A 32	1 ST	
10	R909083060	SOCKET-HEAD SCREW DIN912-M10X25-8.8	4 ST	
12	R909830379	KANTSEAL-RING 81,5-DRZS000351-N70 &	1 ST	D
13	R909084504	O-RING OR 76 -3 -N-N7002	1 ST	D
19	R909086720	O-RING 82,27 X 1,78-S-NBR70&	1 ST	D
21	R913009663	CYLINDER PIN ISO8734-4X10-B-ST	1 ST	
22	R902015656	SPACER DISC 29614.0000	1 ST	

Spare parts list

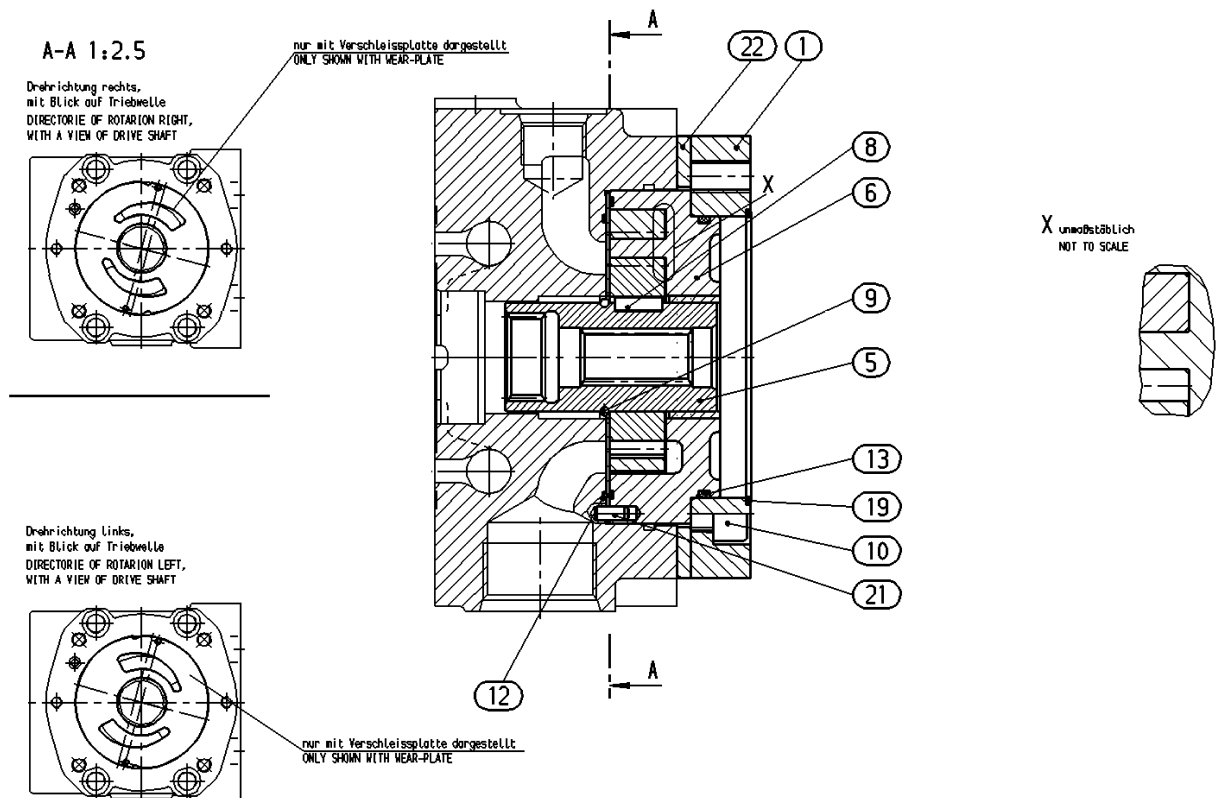
Part No.: R902044532

Designation: INTERNAL GEAR PUMP ASSEMBLY

Product Unit

Axial Piston Units

Drawing no.: R902120073



Spare parts list

Product Unit
Axial Piston Units

Part No.: R902018947
Designation: CONTROL MODULE

Drawing no.: R902120517

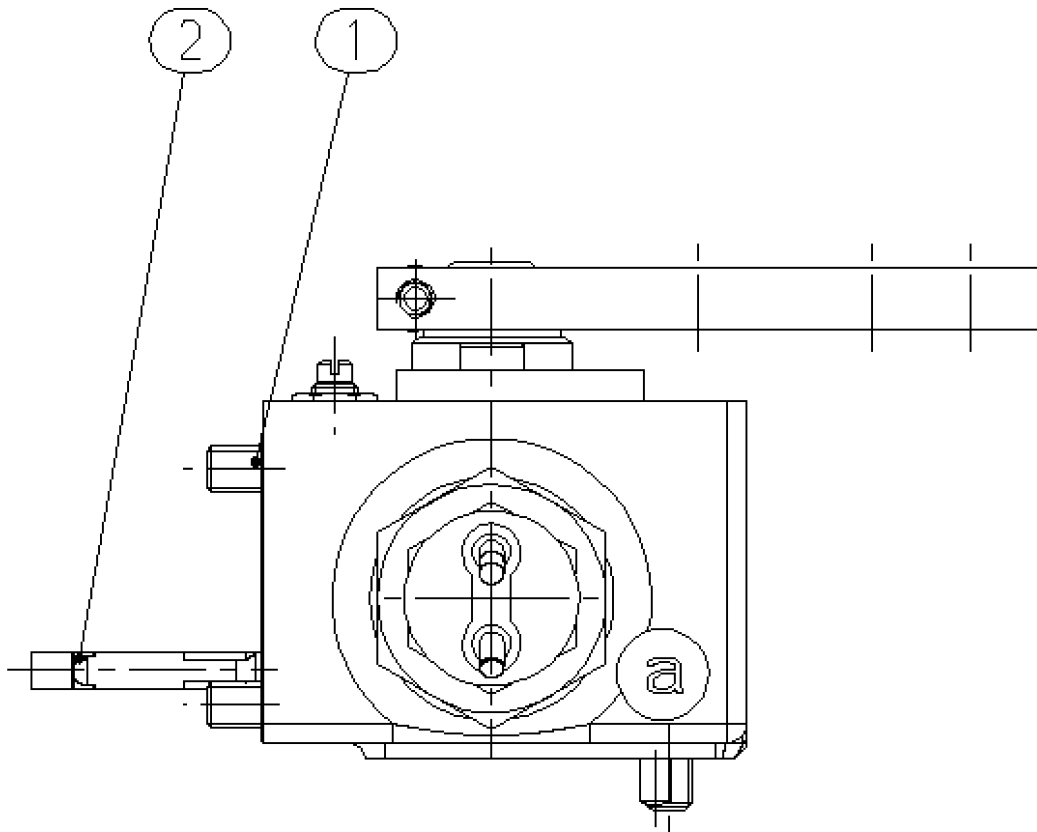
Pos.	Part No.	Designation	Quantity	
1	R902013941	CONTROL MODULE	1 ST	L
2	R909432488	FEEDBACK LEVER	1 ST	
98	R902002385	SEAL KIT CONTROL MODULE	1 ST	

Spare parts list

Part No.: R902018947
Designation: CONTROL MODULE

Product Unit
Axial Piston Units

Drawing no.: R902120517



Spare parts list

Product Unit
Axial Piston Units

Part No.: R902013941
Designation: CONTROL MODULE

Drawing no.: R902022009

Pos.	Part No.	Designation	Quantity	
1	R902012990	HOUSING	1 ST	
2	R902013983	CONTROL BUSH	1 ST	
3	R902076620	CONTROL SHAFT	1 ST	
4	R909650254	SPRING BUSH	1 ST	
5	R902070223	THREADED PIPE #40NM	1 ST	
6	R909421991	PRESSURE SPRING '2,25/ 10,77/ 26,00'	1 ST	
7	R902010473	ECCENTRIC PIN	1 ST	
8	R909401723	LEVER	1 ST	D
9	R909650255	COVER	1 ST	
10	R902013833	SEAL BUSH	1 ST	
11	R902603829	GASKET	1 ST	D
12	R909085831	SOCKET-HEAD SCREW DIN912-M6X65-8.8	4 ST	D
13	R909084385	SOCKET-HEAD SCREW DIN6912-M6X50-8.8	1 ST	
14	R909083012	SOCKET-HEAD SCREW DIN912-M5X20-8.8	1 ST	
15	R909083757	O-RING N 02.079- 17,12 X 2,62-S-NBR90	1 ST	D
16	R909086432	O-RING N 02.079- 20,35 X 1,78-S-NBR90	1 ST	D
17	R909083728	O-RING N 02.079- 9,25 X 1,78-S-NBR70	3 ST	D
18	R909157512	O-RING N 02.079- 6,02 X 2,62-S-NBR90	1 ST	D
21	R909156217	NEEDLE ROLLER DIN5402-A4X15,8 G2-E&	1 ST	
22	R909152425	SEAL LOCK NUT N02.100-M6	1 ST	D
23	R909086180	SHIM DIN 988-12X18X1	1 ST	
25	R909831319	DOUBLE BREAK-OFF PLUG N02.023-M 8	1 ST	
26	R909086301	O-RING N 02.079- 2,9 X 1,78-S-NBR70	1 ST	D

L = Assembly group D = Sealing element

Page: 23

Date: 21.03.2011

Status of version: 3/2011

Brueninghaus Hydromatik GmbH, Werk Elchingen, Glockeraustraße 2, D-89275 Elchingen

Spare parts list

Product Unit
Axial Piston Units

Part No.: R902013941
Designation: CONTROL MODULE

Drawing no.: R902022009

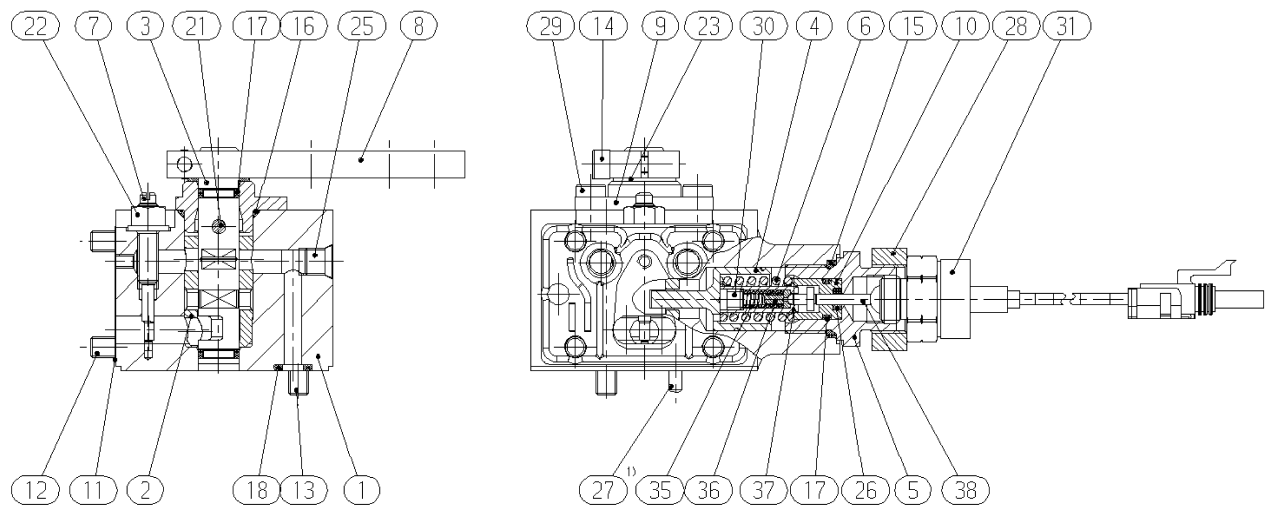
27	R913009663	CYLINDER PIN ISO8734-4X10-B-ST	1 ST	
28	R909830212	HEXAGON NUT DIN439-BM20X1,5-04AU	1 ST	D
29	R909083183	SOCKET-HEAD SCREW DIN6912-M5X 10-8.8	2 ST	D
30	R902600705	PLUG RNM02105-M6-MK &	1 ST	
31	R909830731	BALL SWITCH	1 ST	
35	R909412852	PRESSURE SPRING '0,85/ 3,95/ 14,50'	1 ST	
36	R902021496	SPRING COLLAR 42618.3340	1 ST	
37	R902013929	SPRING CAGE	1 ST	
38	R902013832	STOP PIN	1 ST	

Spare parts list

Part No.: R902013941
Designation: CONTROL MODULE

Product Unit
Axial Piston Units

Drawing no.: R902022009



Spare parts list

Product Unit

Axial Piston Units

Part No.: R909416388

Designation: CONTROL CARTRIDGE

Pos.	Part No.	Designation	Quantity	
1	R902000520	CONTROL CARTRIDGE W/O ORIFICE	1 ST	L
5	R909447806	ORIFICE	1 ST	L

Spare parts list

Product Unit
Axial Piston Units

Part No.: R902000520
Designation: CONTROL CARTRIDGE W/O ORIFICE

Drawing no.: R902022562

Pos.	Part No.	Designation	Quantity	
1	R909414726	CONTROL SCREW	1 ST	
2	R902037909	DIFFERENTIAL PISTON	1 ST	
3	R909921883	CONTROLLER PIPE	1 ST	
8	R909421327	WASHER 42531.1000	1 ST	
10	R909414047	SPRING COLLAR 42531.1000	2 ST	
12	R909408682	PRESSURE SPRING '1,10/ 8,00/ 10,00'	1 ST	
14	R902037910	THREADED PIN 42522.1103	1 ST	
16	R909921887	RING 42513.1000	1 ST	
26	R909156476	CIRCLIP SB 10	1 ST	
27	R909083761	O-RING 23,47 X 2,62-S-NBR90&	1 ST	D
28	R909152707	SEAL LOCK NUT N02.100-M8	1 ST	D
33	R909083380	RETAINING RING DIN472-14X1	1 ST	D
34	R909153848	SEEGER-V-RING AV 15X1	1 ST	
41	R909157287	HEXAGON NUT DIN985-M4-8	1 ST	

Spare parts list

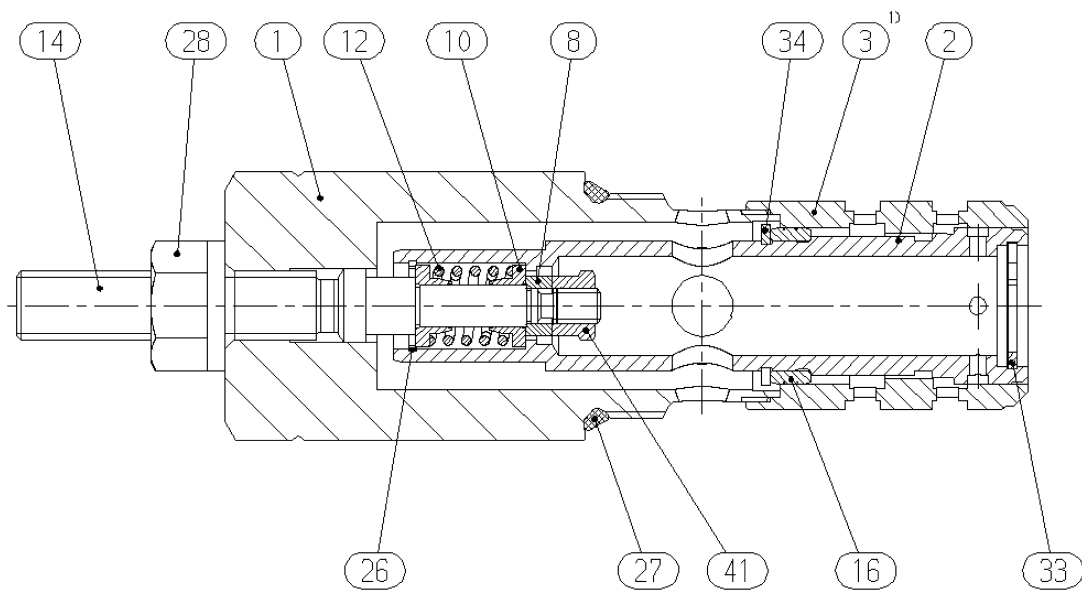
Product Unit

Axial Piston Units

Part No.: R902000520

Designation: CONTROL CARTRIDGE W/O ORIFICE

Drawing no.: R902022562



1) Anziehdrehmoment $M_a = 7 \text{ Nm}$
TIGHTENING TORQUE $M_a = 7 \text{ Nm}$

Anziehdrehmoment der Reglerpatrone $M_a = 50 \text{ Nm}$
TIGHTENING TORQUE OF THE CONTROL CARTRIDGE $M_a = 50 \text{ Nm}$

Spare parts list

Product Unit
Axial Piston Units

Part No.: R909447806

Designation: ORIFICE

Pos.	Part No.	Designation	Quantity
12	R902037856	ORIFICE '1,2/14,0'43417.0000	1 ST
15	R909439645	ORIFICE '1,5/14,0' 43417.0000	1 ST
20	R909436840	ORIFICE '2,0/14,0' 43417.0000	1 ST
23	R909424299	ORIFICE '2,3/14,0' 43417.0000	1 ST
27	R909436300	ORIFICE '2,7/14,0'43417.0000	1 ST
29	R909413895	ORIFICE '2,9/14,0'43417.0001	1 ST
31	R909431470	ORIFICE '3,1/14,0' 43417.0000	1 ST
32	R909413042	ORIFICE '3,2/14,0' 43417.0000	1 ST
33	R909418443	ORIFICE '3,3/14,0' 43417.0000	1 ST
34	R909432478	ORIFICE '3,4/14,0'43417.0000	1 ST
35	R909421451	ORIFICE '3,5/14,0' 43417.0000	1 ST
36	R909431782	ORIFICE '3,6/14,0' 43417.0000	1 ST
37	R909416695	ORIFICE '3,7/14,0'43417.0000	1 ST
38	R909431595	ORIFICE '3,8/14,0'43417.0000	1 ST
39	R909432479	ORIFICE '3,9/14,0'43417.0000	1 ST
40	R909408026	ORIFICE '4,0/14,0'43417.0000	1 ST
41	R909413816	ORIFICE '4,1/14,0' 43417.0000	1 ST
42	R909415274	ORIFICE '4,2/14,0'43417.0000	1 ST
43	R909432480	ORIFICE '4,3/14,0'43417.0000	1 ST

L = Assembly group D = Sealing element

Page: 29

Date: 21.03.2011

Status of version: 3/2011

Brueninghaus Hydromatik GmbH, Werk Elchingen, Glockeraustraße 2, D-89275 Elchingen

Spare parts list

Product Unit
Axial Piston Units

Part No.: R909447806

Designation: ORIFICE

44	R909408027	ORIFICE '4,4/14,0'43417.0001	1 ST
45	R909421848	ORIFICE '4,5/14,0'43417.0000	1 ST
46	R909417007	ORIFICE '4,6/14,0'43417.0002	1 ST
47	R909405619	ORIFICE '4,7/14,0'43417.0002	1 ST
48	R909412633	ORIFICE '4,8/14,0'43417.0003	1 ST
49	R909430745	ORIFICE '4,9/14,0'43417.0000	1 ST
50	R909417025	ORIFICE '5,0/14,0'43417.0003	1 ST
51	R909413327	ORIFICE '5,1/14,0'43417.0003	1 ST
52	R909405975	ORIFICE '5,2/14,0'43419.0001	1 ST
53	R909413934	ORIFICE '5,3/14,0'43419.0001	1 ST
54	R909418163	ORIFICE '5,4/14,0'43419.0001	1 ST
55	R909405617	ORIFICE '5,5/14,0'43419.0002	1 ST
56	R909412748	ORIFICE '5,6/14,0'43419.0002	1 ST
57	R909411438	ORIFICE '5,7/14,0'43419.0103	1 ST
58	R902013917	ORIFICE '5,8/14,0'43417.0000	1 ST
59	R909430828	ORIFICE '5,9/14,0' 43417.0000	1 ST
60	R909410920	ORIFICE '6,0/14,0'43419.0003	1 ST
61	R909445937	ORIFICE '6,1/14,0'43417.0000	1 ST
62	R909431101	ORIFICE '6,2/14,0' 43419.0000	1 ST
63	R902139456	ORIFICE '6,3/14,0' 43417.0004	1 ST

Spare parts list

Product Unit

Axial Piston Units

Part No.: R909447806

Designation: ORIFICE

64	R909408665	ORIFICE '6,4/14,0' 43419.0000	1 ST
67	R909421856	ORIFICE '6,7/14,0' 43417.0000	1 ST
69	R909416256	ORIFICE '6,9/14,0' 43419.0000	1 ST
70	R902053002	ORIFICE '7,0/14,0' 43417.0000	1 ST
71	R902056449	ORIFICE '7,1/14,0' 43419.0000	1 ST
74	R909417704	ORIFICE '7,4/14,0' 43419.0003	1 ST
77	R902029162	ORIFICE '7,7/14,0' 43419.0000	1 ST

Spare parts list

Product Unit

Axial Piston Units

Part No.: R902074318

Designation: FLUSH & BOOST PRESSURE VALVE

Pos.	Part No.	Designation	Quantity	
1	R902048759	FLUSH & BOOST PRESSURE VALVE W/O ORIF.	1 ST	L
30	R909447591	ORIFICE	1 ST	L
98	R902121262	SPACER BUSH 23119.0000	8 ST	
99	R909083071	SOCKET-HEAD SCREW DIN912-M10X70-8.8	8 ST	

Spare parts list

Product Unit
Axial Piston Units

Part No.: R902048759

Designation: FLUSH & BOOST PRESSURE VALVE W/O ORIF.

Drawing no.: R902048753

Pos.	Part No.	Designation	Quantity	
1	R902048706	VALVE PLATE	1 ST	
2	R902008524	FLUSHING PISTON	1 ST	
3	R909417111	LOCKING SCREW #60NM 50312.0200	2 ST	
4	R909417112	WASHER 50312.0200	2 ST	
5	R902011921	PRESSURE SPRING 1,30/ 8,20/ 25,00'	2 ST	
6	R909419422	VALVE PISTON	1 ST	
7	R909417846	LOCKING SCREW 50312. #70NM	1 ST	
8	R909417848	PRESSURE SPRING '1,80/ 11,00/ 32,00'	1 ST	
14	R909831320	DOUBLE BREAK-OFF PLUG N02.023-M10	1 ST	
15	R909087891	O-RING 15,54 X 2,62-S-FKM90&	2 ST	D
16	R909083798	O-RING N 02.079- 24,99 X 3,53-S-NBR90	2 ST	D
17	R909087938	O-RING N 02.079- 17,12 X 2,62-S-FKM90	1 ST	D
18	R909153012	RETAINING RING DIN 472- 8X0,8	1 ST	
19	R909157965	SHIM DIN 988-7X13X0,3	1 ST	
19	R909157966	SHIM DIN 988-7X13X0,5	1 ST	D
19	R909157079	SHIM DIN 988-7X13X1	1 ST	

Spare parts list

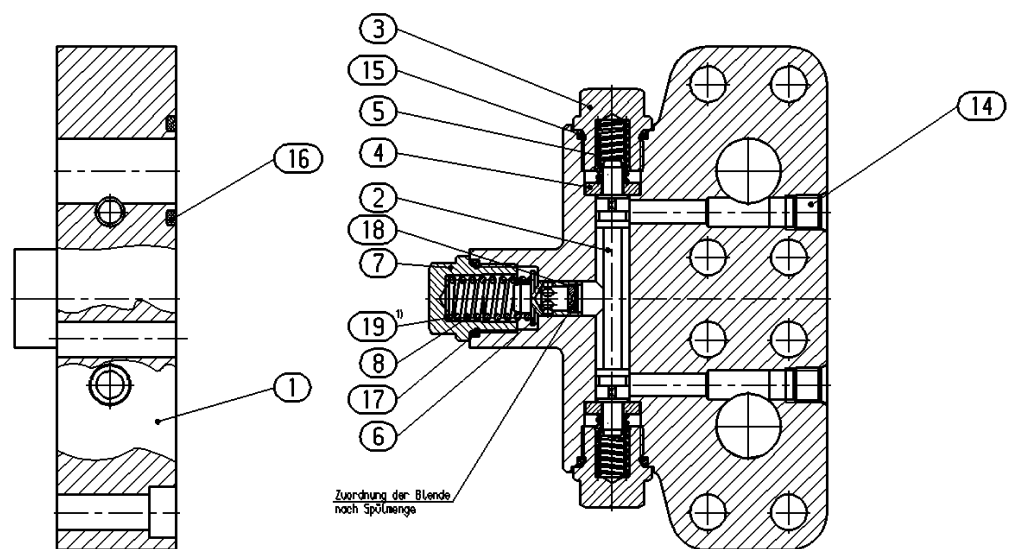
Product Unit

Axial Piston Units

Part No.: R902048759

Designation: FLUSH & BOOST PRESSURE VALVE W/O ORIF.

Drawing no.: R902048753



1) Scheibensärke nach Druckeinstellung
siehe 503.12.01.01/12.01

Spare parts list

Product Unit
Axial Piston Units

Part No.: R909447591
Designation: ORIFICE

Pos.	Part No.	Designation	Quantity
1	R909651766	ORIFICE ' 1,2/8,0' 50312.0101	1 ST
2	R902030345	ORIFICE ' 1,6/8,0' 50312.0101	1 ST
2	R909419695	ORIFICE ' 1,4/8,0' 50312.0101	1 ST
3	R909419696	ORIFICE ' 1,8/8,0' 50312.0101	1 ST
4	R909419697	ORIFICE ' 2,0/ 8,0' 50312.0101	1 ST
5	R909444361	ORIFICE ' 2,4/8,0' 50312.0101	1 ST
6	R902004465	ORIFICE ' 3,0/8,0' 50312.0101	1 ST
7	R902107424	ORIFICE ' 2,30/8,0' 50312.0101	1 ST
9	R902065693	ORIFICE ' 1,0/8,0' 50312.0101	1 ST